



L.T. Rich Products
(877) 482-2040
www.zspray.com

OWNERS MANUAL

Z-Plug (4 wheel unit)



TABLE OF CONTENTS

SECTION 1	TO THE OWNER	PAGE
1.1	Read this manual entirely <i>BEFORE</i> operating the Z-Plug.....	1
1.2	Product / Warranty Registration.....	1
1.3	L T Rich Products Warranty.....	1
1.4	Component Manufactures' Warranties.....	2
1.5	Conditions Which Void Warranty.....	2
1.6	Warranty Exceptions.....	2
SECTION 2	SAFETY INFORMATION	PAGE
2.1	About this manual.....	2-3
2.2	Safety Guards and Covers.....	3
2.3	Operational Safety Rules.....	3
2.4	Maintenance Safety Rules.....	3-4
2.5	Storage Safety Rules.....	4
SECTION 3	MAINTENANCE	PAGE
3.1	Engine Maintenance.....	4-6
3.2	Hydraulic System Maintenance.....	6
3.3	Traction Unit Maintenance.....	6-7
3.4	Aerator Head/Tine Maintenance.....	7
3.5	Attachment Maintenance (Sprayer, Spreader, Seeder, Spyker, De-Thatch & Plow)...	7-9
	Maintenance Chart.....	27
	Trouble Shooting.....	23-26
SECTION 4	AERATOR OPERATIONS	PAGE
4.1	Overview.....	9
4.2	Operation.....	9
4.3	Aerator Tine Head Removal.....	10
SECTION 5	SPRAY/SPREADER SYSTEM	PAGE
5.1	Valving.....	10-11
5.2	Spray Calibration/Tip Chart/Liquid Quantities.....	11
5.3	Spreader Calibration/Layout.....	12-13
SECTION 6	PARTS	PAGE
6.1	Part Number / Pictorial.....	13-21
SECTION 7	WARRANT CARD	PAGE
7.1	Warranty Card.....	22



L. T. Rich Products Inc.

Warranty Registration Card

Serial #: _____	Company Name: _____
Company Address: _____	City / State / Zip: _____
Company Phone: _____	Company Fax: _____
Company Contact: _____	Company Email: _____

Please circle what most accurately describes your business

- | | | | |
|------------|----------------|--------|-----------|
| Commercial | Sports Complex | School | Municipal |
| Cemetery | Home Owner | Other | |

Dealer Name: _____	Dealer Address: _____
Dealer City / State: _____	Dealer Phone: _____
Dealer Salesman: _____	Date of Purchase: _____

L. T. Rich Products warrants its line of equipment to be free from defects in material and factory workmanship for a period of 12 months. Any exceptions to this will be explicitly stated in an individual warrant agreement in the operator's manual of that piece of equipment

Fax to: 765-680-0047 or email to sbell@z-spray.com

SECTION 1 TO THE OWNER

1.1 Read this manual entirely BEFORE operating the Z-Plug

The information presented herein will prepare you to operate the L.T. Rich Z-Plug in a safe and knowledgeable manner. Operating the Z-Plug in a proper manner will provide a safer working environment, create more efficient results and promote higher quality.

Keep this manual at hand at all times for ready reference. The tested safety and design(s) of the Z-Plug is dependent upon its operations within the guidelines and limitations outlined in this manual. Operating the Z-Plug outside of the stated safety guidelines presented in this manual run the risk of injury and a void in the warranty.

1.2 Product Registration

Immediately record the model and serial number of your Z-Plug in the spaces below. These numbers can be found affixed to the cross bar under the kneepad of the unit. Providing this information to departments within L.T. Rich products will help assure that you get the correct parts, inform you about any updates and/or given proper warranty.

1.3 L.T. Rich Products, Inc Warranty

L.T. Rich Products, Inc warrants its line of equipment to be free of defects in material and factory workmanship for a period of 12 months of purchase. Any exception to this will be explicitly stated in an individual warranty agreement in the operator's manual of that stated piece of equipment. This statement does not limit engine warranties in which the engine manufactures carry extended time periods beyond the 12 months.

Engine warranty claims will be subject to the engine manufacture's approval

Replacement parts that carry 90-day replacement warranty and are reimbursed to the dealer, net of prompt payment. All electrical and hydraulic parts are limited by this policy and will only be covered upon approval by L. T. Rich Products Service Department after inspection of part(s). The installation and removal of a part will automatically place the part under the replacement parts warranty.

This guarantee is limited exclusively to equipment manufactured or supplied by L.T. Rich Products and is subject to the inspection and analysis by the company to conclusively identify or confirm the nature and cause of the failure.

L.T. Rich Products, Inc reserves the right to incorporate improvements in the material and design of its products without notice and is not obligated to make the same improvements to equipment previously manufactured.

L.T. Rich Products, Inc is not obligated under any warranty different from the warranty as published above.

1.4 Component Manufactures' Warranty

Some of the component parts of the Z-Plug are warranted by their respective manufactures. These parts are:

Hydro-Gear Pumps/Motors (www.hydro-gear.com)

Parker Wheel Motors (www.parker.com)

Vanguard Commercial Engines (www.briggsandstratton.com)

Delevan Pump (if applicable)

The complete manufactures' warranty information for these components is located in the back of this manual. Contact L. T. Rich Products, Inc if you have any questions concerning warranties on these component parts.

1.5 Conditions Which Void Warranty

This warranty shall not apply to equipment which:

- Has had repairs or modifications not authorized by L. T. Rich Products, Inc
- Has been subject to abuse, improper maintenance, and/or improper applications
- Has had engine repair work done by **"unauthorized"** service dealer

1.6 Warranty Exceptions

This warranty shall not apply to the following items:

- Wear items including sparks plugs, points & condensers, fuses, batteries, belts, filters, bearings, tires, lubricants, fluids and hopper implements.
- Damages to engine/drive systems caused by a lack of/or improper lubricants and/or fluids.
- Damages to engine/drive system caused by improper operations and/or maintenance.

SECTION 2 SAFETY INFORMATION

2.1 About This Manual

The purpose of this manual is to assist you in properly and safely operating and maintaining the Z-Plug. Read and understand this entire manual before attempting to set-up, operate, adjust, perform maintenance on, or store the Z-Plug. This manual provides essential information and instructions, which will help you enjoy years of dependable performance from the Z-Plug

The designed and tested safety of the Z-Plug is dependent upon its operations within the parameters and limitations explained in this manual. Be familiar with and follow all safety rules in this manual as well all safety rules for any related equipment.

Although these instructions have been compiled through extensive field experience and engineering data, some information presented herein may be generated in the nature due to unknown and/or varying operating conditions. However, these instructions, combined with your increased experience with the Z-Plug, will enable you to develop procedures suitable to your particular application.

The illustrations and data used in the manual were current at the time of printing, but the Z-Plug may vary slightly due to ongoing engineering changes. L. T. Rich Products, Inc reserves the right to implement engineering and design changes to the Z-Plug as may be necessary without prior notification.

2.2 Safety Guards and Covers

Safety is a primary concern in the design and manufacturing of all L. T. Rich Products. Unfortunately, our extensive efforts to provide safe equipment can be negated by a single careless act of an operator. In addition to the design and configuration of the Z-Plug, hazard control and accidents prevention are also dependent upon the awareness, condition, maintenance, and storage of the Z-Plug. ***THE BEST SAFETY DEVISE IS AN INFORMED, CAREFUL OPERATOR!!***

Safety Guards are mounted on the backside of the Hydro-Gear Pumps (at the shin level of the operator). These guards are designed to cover the hydraulic belt under the base and protect the operator. Removing this guard could cause injury to an operator and could void the Z-Plug's warranty. Remove this guard ONLY when unit is turned off to do preventative maintenance.

2.3 Operational Safety Rules

Never operate the Z-Spray without all covers, shields, and safety devices installed and secured.

Never permit any person other than the operator to ride or board the Z-Spray at any time. ***NEVER ALLOW RIDERS!!!***

Use extreme care and maintain minimum ground speed when transporting on a hillside or over rough ground, and when operating close to ditches, fences, or water.

The owner/user can prevent and is responsible for accidents or injuries occurring to himself or herself, other people.

Operate only in daylight or good artificial light (min 200 lux).

Never allow anyone near the Z-Spray while in operation.

Only operate machine from the operator's platform (Foot Pan), *never* operate machine when standing on the ground.

Be alert for holes in the terrain as well as any other hidden hazards. Always drive slowly over rough ground.

Never operate this machine on slopes exceeding 15 degrees in any direction. **NOTE: To operate on terrain that exceeds these limits constitutes misuse of the equipment and as such, any and all injuries as a result of said use are expressly disclaimed.**

2.4 Maintenance Safety Rules

Never perform maintenance on the Z-Plug when children are present.

Never allow anyone near the operation controls while performing service or maintenance to the Z-Plug.

Periodically tighten all nuts, bolts and screws and check that all fasteners are properly installed to ensure that the Z-Plug is in safe operating condition.

Never perform maintenance on the Z-Plug while parking brake is *disengaged*.

****Refueling your Z-Spray****

Use only approved gasoline container.

Never remove the gas cap or add fuel with the engine running.

Extinguish all cigarettes, cigars, pipes, and other sources of ignition.

Never fuel the machine indoors.

Allow the engine to cool before refueling.

If fuel is spilled on clothing, change clothing immediately

If fuel is spilled, do not attempt to start the engine. Contain, remove and verify that all fuel has been removed before starting the machine.

Remove Fuel Tank Cap

Place a funnel in the Fuel Tank receptacle

Slowly pour the fuel from the container into the receptacle. Don not pour to fast causing a spill (funnel will allow only so much fuel to drain into Fuel Tank)

Replace Fuel Tank Cap and screw on tight.

2.5 Storage Safety Rules

Never store the Z-Plug in any area accessible by children.

Never store the Z-Plug with fuel in the tank inside a building where fumes could reach an open flame or spark.

Allow the Z-Plug engine to cool before storing in an enclosed area.

Lubricate all moving parts of the Z-Plug to prevent rust during storage.

Remove all accumulated debris from the Z-Plug and attachments before storing.

SECTION 3 MAINTENANCE

3.1 Engine Maintenance (18HP Vanguard or 23HP BRIGGS Pro V-Twin)

****USE COMPRESSED AIR (NOT WATER) WHEN CLEANING ENGINE****

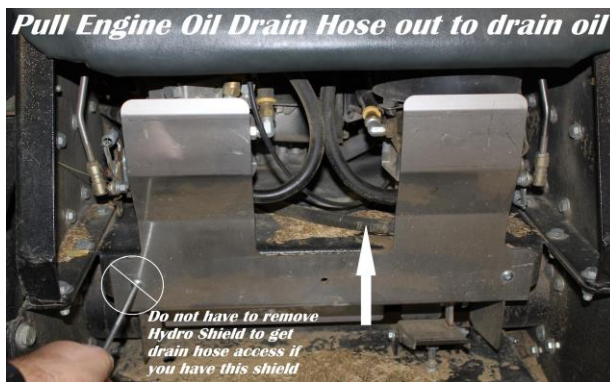
***Use only original equipment replacement parts. Other parts may not perform as well, may damage unit, and may result in injury.**

Oil Recommendations: Briggs & Stratton recommends the use of certified oils for best performance. Other high-quality detergent oil are acceptable if classified for service SF, SG, SH, SJ or higher. Do not use special additives.

Outdoor temperatures determine the proper oil viscosity for the engine. Use the chart to select the best viscosity for the outdoor temperature range expected.

If the oil level is below the ADD mark, add oil until it reaches the FULL mark. Start the engine and check for proper pressure before continuing to operate.

****Unit is filled with 5W 40 Synthetic oil out of the factory, using other grades may requiring draining of fluids before replacing/topping off** For recommended oil / oil filter change intervals, refer to Briggs & Stratton engine manual (page 7) or “Maintenance Chart” on page 25 of this Z-Plug Aerator Manual.**



(not required to remove Hydro Shield)



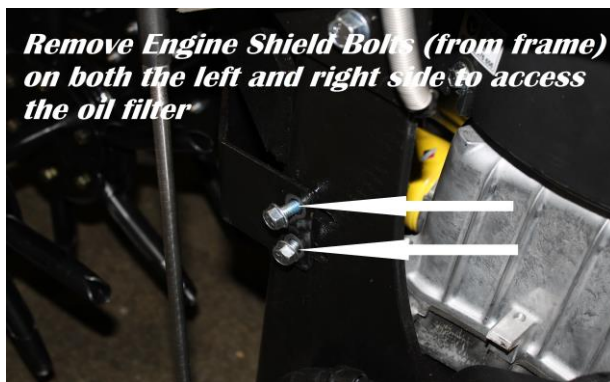
(remove Hydro Shield to access drain hose)



(remove Hydro Shield for easier access)



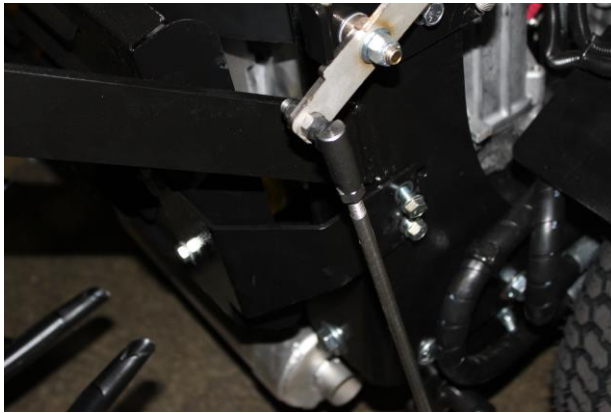
(pull drain hose out from between hydro's)



(remove bolts from the Engine Shield brackets)



(remove oil filter and replace with new)



(install and secure Engine Shield back on to frame)



Engine Oil Dipstick

(Fill oil and check for proper fill level)

Fuel Recommendations: Fuel must meet these requirements

- Clean, fresh, unleaded gasoline.
- A minimum of 87 octane/87 AKI (91 RON).
- Gasoline with up to 10% ethanol (gasohol) or up to 15% MTBE (methyl tertiary butyl ether) is acceptable

Full Maintenance Information Can Be Located In The Engine Manual Provided

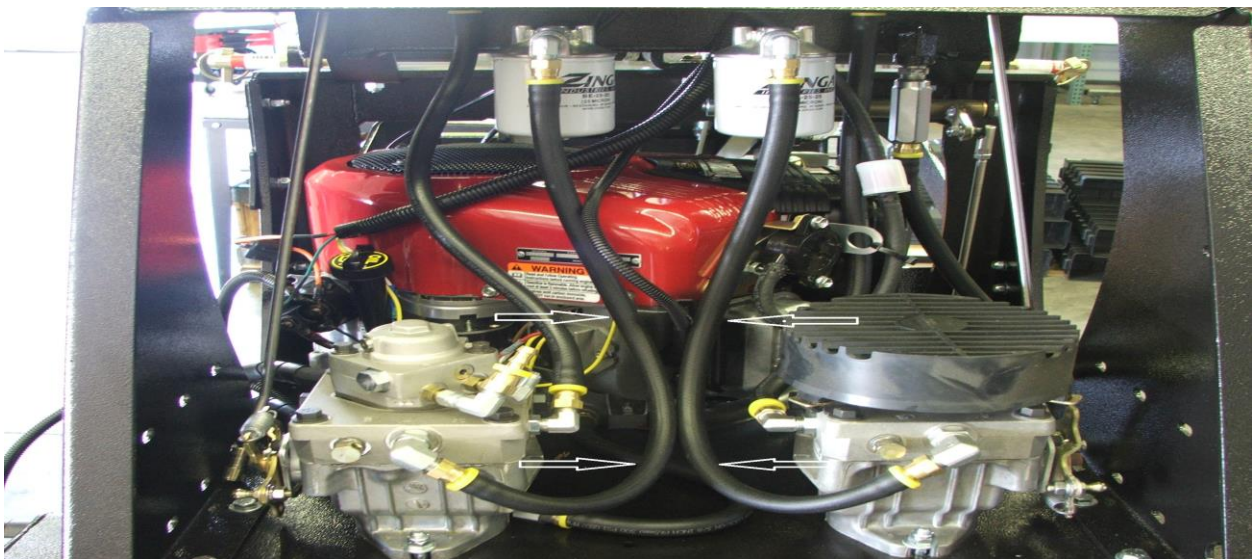
3.2 Hydraulic System Maintenance

****USE COMPRESSED AIR (NOT WATER) WHEN CLEANING SYSTEM****

Hydro-Gear recommends that the fluid and filter(s) be changed every 500 hours. Use any type of motor oil in a **5W-40 Synthetic or equivalent.**

Hydraulic system requires 25 micron oil filters or equivalent to be used

Check for hydraulic leaks daily to ensure proper fluid levels



****Remove line coming from the filters (at hydro pump end) to drain fluids****

3.3 Traction Unit Maintenance

The Z-Plug has 11 grease fittings that require periodic greasing. These locations can be found on the wheel assembly (1 on each front wheel assembly), on the caster assembly (1 on each front caster assembly), the drive belt idler (1 on idler arm), Pillow Block Bearings (4 each) and 2 on the Lift Cylinder.



Inspect wheel and caster assembly every 25 hours for bearing wear, damage, debris, and proper installation.

Inspect idler arm bushing every 50 hours for wear. These bushings are wear items and will have to be replaced periodically.

Inspect all bolts, washers, nuts, pins and other mounting hardware of Z-Plug once a week to ensure that hardware pieces are properly tightened.

3.4 Aerator Head/Tine Maintenance

The Aerator tine head is removable. Simply disconnect the 3 ball swivel mounts and pins (you may want to prop the front of the Aerator head for easy disconnect and re-attachment. Other attachments such as the Slice Seeder, De-thatch Rake, Spray System and Snow Plow use the same points). Disconnect the Ball Swivel Assembly Pull Pin connected to the cylinder bracket (bottom side) and head will be free from unit. Either pull the Aerator tine head away from unit or slowly turn the unit either left or right swinging the front of the Z-Plug in a circle motion (this will swing the front of the unit away from the tine head allowing the operator to drive unit around and away from tine head or other attachments).

Check all tines to ensure that there is no bends, cracks and/or damages to the tines (replace any bent, cracked and/or damaged tines).

Check to make sure that all nuts on tine head assembly are tight and secure

Check to ensure that pillow block bearing assembly is secured and bearings are moving freely

3.5 Attachment Maintenance

<Z-Plug Sprayer Attachment: The Z-Plug unit has the ability to mount a 30 gallon spray system to the frame. Just like our Z-Spray liquid systems, maintenance is a key requirement to allow successful applications. Here are a few things to maintain on this system.

Check 5 psi check ball screens daily.

Check spray system in-line filter daily (make sure rubber seal remains intact).

Check spray tips daily for any clogging of materials or foreign objects.

Clean out tank on daily basis for proper storing.

<Z-Plug Spreader Hopper Attachment: The Z-Plug unit has the ability to mount a 120 lb Hopper Spreader unit to the frame. Just like our Z-Spray spreader systems, maintenance is a key requirement to allow successful applications. Here are a few things to maintain on this system.

Lubricate (Silicone Spray) Hopper and Diffuser cables on a daily basis.

Clean debris and product from Hopper daily to eliminate build up.

Keep hydraulic hose fittings tight and free of leaks.

<Z-Plug Slice Seeder Attachment: The Z-Plug unit has the ability to mount a 36" Gandy Slice Seeder to the frame. Giving the Slice Seeder the proper maintenance will allow this attachment to operate successfully.

Clean and remove all products from the seeder box after each application

Grease Pillow Block bearings & Drive Chain weekly.

Lubricate adjustment handle weekly.

Check hardware weekly (tighten if needed).

Check that knives are free of chips, crack and bends before each use.

< Z-Plug De-thatch Rake Attachment: The Z-Plug unit has the ability to mount a 46" De-thatch Rake to the frame. Giving the De-thatch Rake the proper maintenance will allow this attachment to operate successfully.

Check to ensure that rakes are not bent, twisted or broke before each use.

Ensure that all collars are tight and adjusted properly.

< Z-Plug Snow Plow/Blade Attachment: The Z-Plug unit has the ability to mount a 52" Snow Plow/Blade to the frame. Giving the Snow Plow/Blade the proper maintenance will allow this attachment to operate successfully.

Keep angle pivot greased and clear of debris.

Check spring eye bolt nuts from coming loose.

Ensure that pivot bolt and nut remain snug.

Check scrape bar nuts and bolts and keep tight.

Check scrape bar from time to time for wear, replace when needed.

< Z-Plug Spiker Attachment: The Z-Plug unit has the ability to mount a 40" Spiker to the frame. Giving the 40" Spiker the proper maintenance will allow this attachment to operate successfully.

Grease Pillow Block Bearings on a weekly basis

Check hardware weekly (tighten if needed)

Clean and remove any debris buildup between spikes

Ensure that outer chains are not bound up or twisted

SECTION 4 AERATOR OPERATIONS

4.1 Overview

The Z-Plug can cover 80,000 square feet per hour and produce up to 3 ½” cores. The full floating tine head can maneuver around trees and beds while engaged. The 2,000 lb hydraulic cylinder picks up the head in less than 2.5 seconds for turning around or getting head up in the transport position. Forced in the opposite direction, the hydraulic cylinder puts down force on the head adding weight to the tine head for deeper soil penetration. Ball Swivel and pin attach points allow 30 degrees of pivot left to right for better steering in the down position. The Ball Swivel and pin attach points also allow for easy attach and disassemble of the Aerator head (or any other attachment designed for the Z-Plug).

****Your unit may be equipped with other attachments such as the 120 lb Hopper, 30 gallon spray system, 36” Slice Seeder, 46” De-thatch Rake, 40” Spiker or the 52” Snow Plow/Blade. These attachments will be referenced in sections to come in this manual****

4.2 Operations

Upon turning the key on to start the unit, apply full choke. Once unit has started, release (push down or pull down) first the choke and then the brake lever. Bring unit up to a comfortable speed with the Control Lever. When you arrive to desired aerating area, use the hydraulic Lift Valve Lever (or Thumb Switch) to lower aerator tines into the turf (aerator head can float up to 30 degrees and make gradual turns around beds and trees).

Once you have come to a designated turnaround location, use hydraulic Lift Valve Lever (*or Thumb Switch from 2013 to current*) to lift tine head in transport position. Make designated turn and repeat process of lowering tine head into turf and precede aeration.



If aerating on hillsides, the Z-Plug has been equipped with the Patent Pending Locking Caster System. This allows an operator to lock the front caster wheels straightforward giving the unit more side hill stability. This feature is applied by using the foot pedal located on the right side on the foot pan. To release Locking Caster System, simply take pressure off of foot pedal.

4.3 Aerator Tine Head Removal

The aerator tine head is removable for service, cleaning and removing from traction unit to install other attachments. To remove the tine head from the traction unit, first adjust the hydraulic cylinder so that the tine head starts to make contact with the ground (taking weight off of the head). Pull pin disconnecting the ball swivel linkage to the aerator head. Lower cylinder releasing tension on the chains and remove the 2 ball swivel chains connected to the outer frame section (welded to chain and spring supports).

Pull the pin from the aerator front frame neck (it will be attached to the front frame of the traction unit) and dismount the ball swivel from the pin (pull neck downward). Lower front neck of the aerator head and position yourself back on the traction unit. Drive away from the aerator head by turning either left or right (**turning to the right of the head pictured on next page**) by turning the front of the traction unit in either direction. To install head back on the unit, reverse the unit along the back of the tines. Once the rear inside tire lines up to the center of the aerator head, slowly start turning unit over the aerator head (make sure that you line up the ball swivel in the neck of the aerator and the pull pin beneath the nose of the traction unit to make it easy for mounting)



SECTION 5 SPRAY/SPREADER SYSTEM (if equipped)

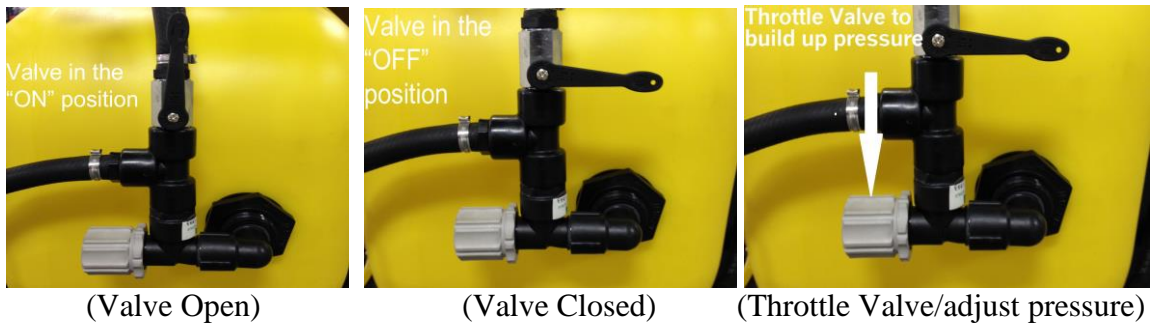
5.1 Valving

The Z-Plug can be equipped with a 30 gallon spray system with an 8' breakaway spray boom. If your unit has this attachment mounted on to your Z-Plug, here are some helpful instructions on operating this system.

Periodically check the in-line filter for any debris in the screen. If debris is present, this can create erratic pressure spikes and/or not allow the proper flow through system. After clearing any debris, ensure that rubber seal remains intact and tighten in-line filter cap (if not installed properly, this will allow air to get in the system and system will lose or not create pressure).

The pump switch located on the control panel turns on the spray system pump. Once the pump is turned on, the throttle valve is turned clockwise to increase pressure and/or counter-clockwise to release pressure. The pressure can be read on the gauge (decreasing pressure will increase agitation in the tank).

Opening the hose valve can operate 25' coil hose for spraying out of the hand spray gun. When coil hose not in use, be sure to turn valve off to prevent boom tips from dripping.



5.2 Spray Calibration/Tip Chart/Liquid Quantities

The Z-Plug spray system comes standard with lavender colored Air Injected tips which will apply liquid material @ .32 (1/3) gallons per 1,000 sq. ft. @ 5 m.p.h and 4—45 psi. Each tip has a 5 psi shut-off screen to prevent drip.

Your machine is capable of using tips from ¼ to 1 gallon in size. See chart for your desired drop rate.

The following are some general guidelines for sprayer calibration (Note: this chart only applies if using Air Injected tips. Using other tips will require different calculations). Please refer to the spray chart provided for complete calibration (spray charts are now located on the backside of the knee pad for quick in the field reference).

Tip Color	MPH	Pressure	Gallons/1,000 sq. ft.
Yellow	5	40 psi	.27 (1/4) gallon
Lavender	5	40 psi	.34 (1/3) gallon
Red	5	40 psi	.54 (1/2) gallon
Brown	5	50 psi	.76 (3/4) gallon
Grey	4	40 psi	1 gallon

The throttle valve adjusts pressure. The throttle valve is located just before the return valves near the left side control panel. Turn clockwise to increase pressure, counter clockwise to decrease pressure. Pressure will be displayed on the gauge bear the control panel. Once the nozzles are opened, you will notice a slight decrease in pressure (adjust accordingly).

To determine liquid quantities per tank, understand what tips you have on your machine (factory set is 1/3 gallon per 1,000 sq. ft. through the Lavender tips). For instance some products call for 1.1 to 1.5 oz per 1,000 sq. ft. We would recommend using 1.3 (median value of 1.1 to 1.5). Since you are using a 1/3-gallon tip, you need to multiply by 3, then multiply that number of gallons you need to put in your tank.

1.3 (median value of 1.1 to 1.5) X 3 (1/3 gallon tips) X gallons needed. If you were filling an 18-gallon tank your equation would look like this:

1.3 X 3 X 30 = 117 ounces of product in 30 gallons of water.

5.3 Spreader Calibration/Layout

The Spreader Motor Control determines the speed of the impeller in the front on the machine. The control is numbered 1-10; these numbers are used for points of reference. Your machine is capable of varying its spread pattern from 4 – 25 feet with this control. Being hydraulically driven, the spread pattern is independent of the ground speed.

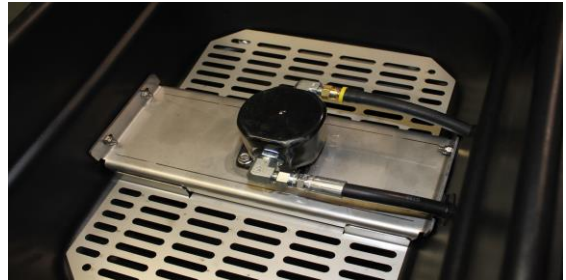
The hopper control cable opens and closes the door inside the base of the hopper. The maximum size of the opening will be determined by the rate adjustment on the knob dial. This will set your rate gate linkage bar to limit and stop the rate the door can open.

The Diffuser adjustment allows the user to adjust the intensity of the spread pattern. A small turn shifts the product placement on the impeller. This in turn balances the spread pattern heavier to the left (back side ramp) or heavier to the right (front side ramp). Adjustment is very sensitive, so multiple adjustments may be required.

FOR MORE DETAILED INFORMATION, GO TO WWW.SPYKER.COM



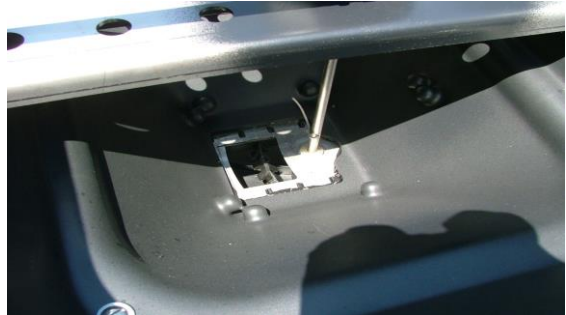
(Diffuser cable & Hopper cable)



(Hydraulic hopper motor)



(Knob adjusting dial)



(Diffuser shown on underside of opening)

Your machine is equipped with the 120 lb Spyker model spreader. The hydraulic spreader motor with the spreader motor control has the ability to vary spread widths from 4 to 25 feet. This depends on volume/density, particle size and rate of travel, and weather conditions. The pattern can be increased or decreased while spreading depending on needs. This allows you to spread and spray at the same time. A typical pattern is to overlap fertilizer pattern back to the tire tracks and the spray pattern boom to boom.

To spray and spread at the same time: Set the spread pattern to twice the width of the spray. For example a junior and intermediate model has a spray width of 8 feet. Set the spreader width to 16 feet and spread back to the tire tracks. The spray pattern will match boom to boom.

The spread things and feathers at the outer edges, eliminating sharp “edge to spread” lines which cause stripes and streaks.


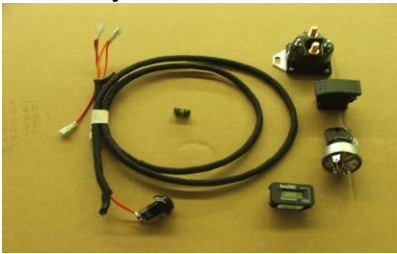
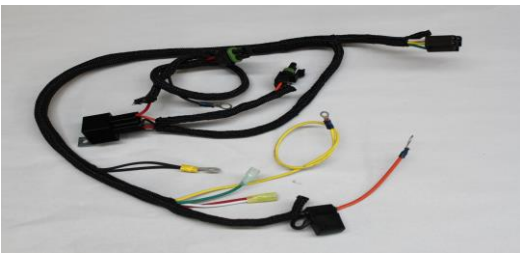
Determine a dial setting on the low side. If setting is too low, cover the area more than one time. A higher setting can be used when a proven dial setting is established. Travel at a constant speed.

Remember- Published dial settings are approximate only. Open the hopper door after the spreader is turned on at operating speed.



SECTION 6 PARTS

6.1 Part Number / Pictorial

Electric Parts		
Part #	Description	Qty
80202	Pump on-off switch	1
80204-2010	Spot Spray Switch (foot switch only)	1
80205	Wiring Harness	1
80206	30 AMP Fuse	1
80207	Starter Solenoid	1
80208	Battery Box	1
80120-2010	12 Volt Battery (*cannot ship, local pickup only*)	1
80214-A	Tach/Hour Meter	1
80215	Key Switch	1

		
(wiring harness)	(foot switch, tach/hour meter, etc)	(2011 to current wiring harness)

Wheel Parts (front and rear)		
Part #	Description	Qty
80019-A	Front 16" Wheel Assembly (December 2010 to Jan. 2011)	1
80019-MM	Front 13" Wheel Assembly (Jan 2011 and current)	1
80019-B	Front Wheel Spacers	2
80309	Front Wheel Cone Bearings	2
80311	Front Wheel Bearing Cup (for replacement only)	2
HHCS5-3410	Front Wheel Bolt	1
NNC-34	Front Wheel Nut	1
FW-SAE-34	Front Wheel Washer	1
80021	Rear Wheel Assembly	1
80310	Rim Seal	2

	
(Front tire assembly)	(Rear tire assembly)

Hydraulic Parts/Idler Bracket Parts

<i>Part #</i>	<i>Description</i>	<i>Qty</i>
80003	Idler Pulley	1
80004	Idler Pulley Bracket Weldment	1
80304	Idler Pulley Bracket Bushings	2
80112	Idler Spring	1
80413-BX53	Drive Belt	1
80413-B54	Drive Belt (May 2011 to Current)	1
HHESC5-12221	Idler Bracket Bolt	1
FW-SAE-12	Idler Bracket Washer	2
NNC-12	Idler Bracket Nylon Nut	1
80400-B	Hydro Pump (left) 16cc Z-Plug	1
80400-C	Hydro Pump (right) w/fan 16cc Z-Plug	1
80402-B	Wheel Motor Large (left) (<i>Parker 8/11 to current</i>)	1
80402-C	Wheel Motor Large (right) (<i>Parker 8/11 to current</i>)	1
80407	Pump to Wheel Motor Hose (21")	2
80408	Pump to Wheel Motor Hose (15")	2
80404	Hydraulic Filter (25 micron)	1



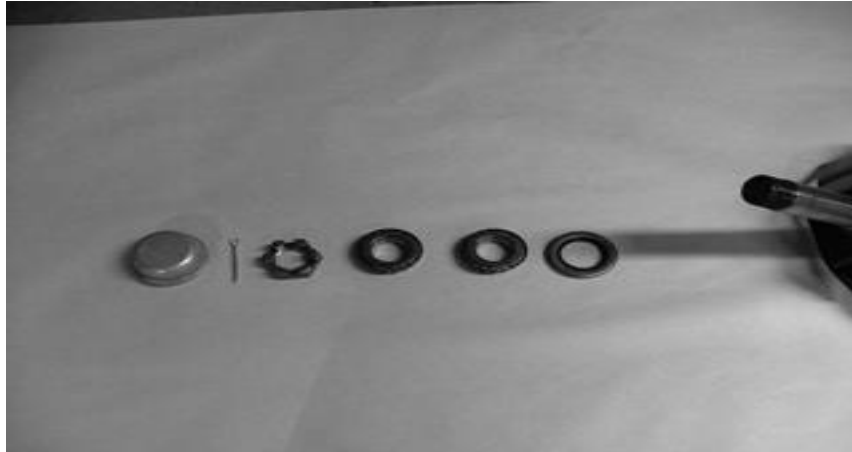
(hydraulic motors, pumps and hoses)



(idler bracket, idler pulley and drive belt)

Caster Parts

<i>Part #</i>	<i>Description</i>	<i>Qty</i>
80013	New Style Caster Yoke (specify left or right)	1
80306	Dust Cap	1
80308	Caster Bearing	2
80009	Castle Nut	1
80302	Caster Bearing Seal	2



Aerator Head Parts (36" Head)

Part #	Description	Qty
80701	Aerator Tine (60ea on 46" Aerator Head Assembly)	48
80709	Pillow Block Bearing	4
80714-B	Aerator 1/2 Disk Plate (20ea on 46" Aerator Head Assembly)	16
80913	Rear Tray Weights (part # 80914 for 46" head)	3
80703	Lift Collar	2
80704-B	Aerator Lift Pin Small	1
80705	Aerator and Trailer Draw Pin	1
80706	Lynch Pin	1
80716	RH Lift Arm Pin	1
80721	Reel (part# 80720 for 46" head)	2
HHCS5-38112	Bolt	10
FW-SAE-38	Flat Washer	20
NNC-38	Nylon Nut	10
HHCS8-516134	Zinc Plated Bolt (60ea on 46" Aerator Head Assembly)	48
TNUT51618	Top Lock Nut (60ea on 46" Aerator Head Assembly)	48



(pillow block bearing, tine, 1/2 disk, hardware)



(Ball Swivel, lift pin, shaft collar & hardware)

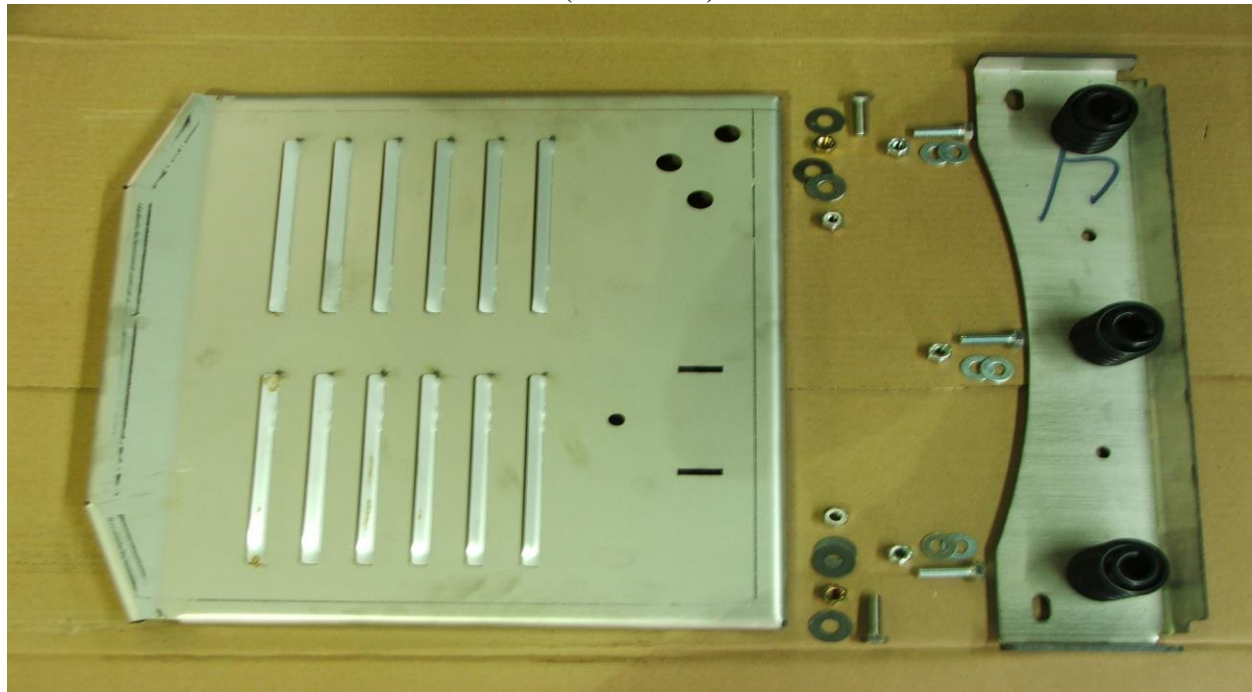
Spot Spray Gun

Part #	Qty	Description
60040	1 ea	Spot Spray Gun
60041	1 ea	Spot Spray Tip
60029	1 ea	1/4" MPT X 3/8" Barb



Foot Plate Parts

<i>Part #</i>	<i>Description</i>	<i>Qty</i>
83067	Compression Springs	3
HHCSC5-38114	Bolt	5
NNC-38	Nut	5
FW-SAE-38	Flat Washer	10
80181	Foot Pan Tray (Mild Steel)	1
80029-REV	Foot Plate (Mild Steel)	1

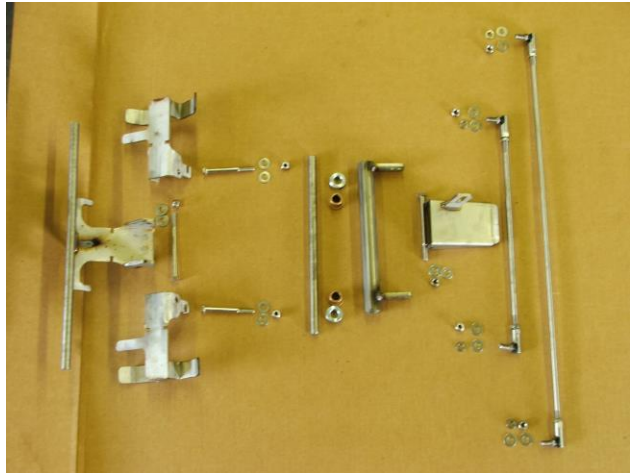


(*if parts needed for pivot point*)

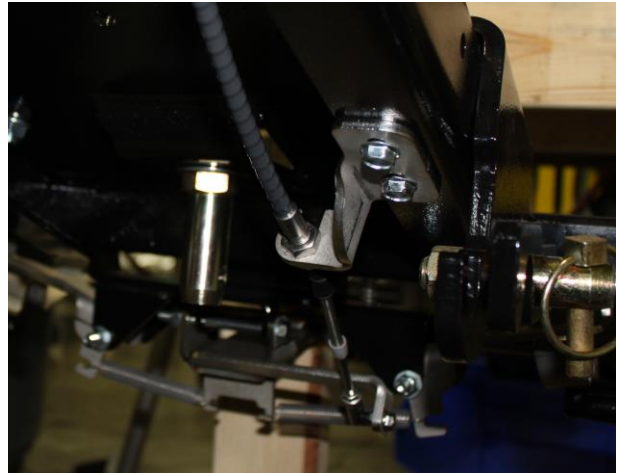
<i>Part #</i>	<i>Description</i>	<i>Qty</i>
FW-SAE-38	Flat Washer	6
HHCSC5-38112	Bolt	2
HNC8-38	Nut	2
NNC-38	Nut	2

Locking Caster System Parts

<i>Part #</i>	<i>Description</i>	<i>Qty</i>
80022-13	13" Linkage Rod	1
80022-24.5	24.5 Linkage Rod	2
80023	Ball Joint	2
NNC-516	Nylon Nut	4
FW-SAE-516	Flat Washer	8
HHCCSC5-38112	Stop Bolt	1
83049	Spring	4
LWSS-516	Lock Washer	6
ZHNFSS-516	Hex Nut	6
Collar516	5/16" Collar	2
8022-16	16" Linkage Rod	1
UPB734	Upper Pivot Bracket 7 3/4"	1
LPB534	Lower Pivot Bracket 5 3/4"	1
FCP	Foot Control Pedal	1
HCSSC-5163	3" X 5/16" Bolt S/S	2
HHCCSC5-5164	4" X 5/16 Bolt	1
SSNNF-38	Hex Flanged Nut	2
80746-L	Lock Arm (left)	1
80746-R	Lock arm (right)	1
80023-aerator	Locking Caster Cable (2014 to present)	1
80952	Locking Caster Cable Mount (2014 to present)	1



(2010 to early 2014 Locking Caster Linkage)



(2014 to current Locking Caster Cable/Bracket)

Parts List

80112 - BOOM SPRING \nCENTURY# 80914-S	1
30675 - JOY STICK FOAM GRIP\nEEZER # 100130	2
30700 - DECAL Z-SPRAY CONTROL PANEL	1
80019-MM - NEW STYLE (SINGLE BOLT) 13" FRONT CASTER WHEEL ASSY.	2
80019-B - SPACER HSS-34	4
80021 - REAR WHEEL ASSEMBLY Z-MAX\nCARLISE# 15-640-419GK	2
80025 - JOY STICK TO HYDRO LINKAGE ROD	2
80220 - FUEL TANK W/ CAP\n067506CE	1
80308 - L44649	4
80301 - CASTER YOKE BEARING CUP\nL44610	4
80302 - CASTER BEARING SEAL\nSL-122	2
80303 - JOY STICK BUSHING\nKAMAN# EF 0812-12	4
80510 - Throttle Cable	1
80706 - LYNCH PIN \n21940	3
80709 - PILLOW BLOCK BEARING\nUCP205-16-10/32-Q\n153.001	4
80701 - AERATOR TINE\nR522361 (60ea used on 46" Aerator Head Assembly)	48
80400-B - HYDRO PUMP W/ AUX\nPR-1HBB-PB1X-XXXX\nLARGE	1
80400-C - HYDRO PUUMP W/ FAN\nPR-2KBB-GAIC-XXXX\nLARGE	1
80402-B - WHEEL MOTOR left \nHGM-18E-3052\nLARGE	1
80402-C - WHEEL MOTOR right \nHGM-18E-3056\nLARGE	1
80404 - HYDRAULIC FILTER\nAA0513	1
80405 - HYDRAULIC FILTER HOUSING\nAA0530	1
80406 - HYDRAULIC TANK	1
80413-B54 - Z-PLUG DRIVE BELT	1
80410 - 3/8' PUSH LOCK \nGATE 3/8 PYTHON BLK 300 PSI	8
80411 - HYDRO PULLEY\nDIAMOND# 500469BZ\n500 per order	1
80422 - 3/8 PUSH-ON SWIVEL (6)\n288-06-06	6
80423 - 3/8 OIL FILTER SWIVEL ADAPTER (2)\n6402-06-06	2
80425 - 3/8 PIPE TO 3/8 PUSH-ON (2)\n272-06-06	4
80428 - 3/4' PIPE COUPLER FOR TANK (2)\n5000-12-12	1
80439 - PIPE COUPLER (1) 1/4'\n5000-04-04	1
80450 - LIFT CYLINDER \nRED	1
80003 - IDLER PULLEY\nW/ .50 BORE	1
80205 - WIRING HARNESS	1
80207 - STARTER SOLENOID	1
80208 - BATTERY BOX \nPART#03188	1
80210 - 12 VOLT BATTERY\nSS10UL1	1
80214-A - TACH/HOUR METER\n809D-100-022	1
80215 - KEY SWITCH\n4F463	1
30678 - SPEED BAR KNOB	2
OPB22712-04-04 - 1/4" FEMALE SWIVEL	10
OPB22712-08-08 - 1/2" FEMALE SWIVEL	8
30676 - BRAKE HANDLE GRIP\nEEZZER# 100095	1
80511 - CHOKE CABLE\n52460002\nWRIGHT NO#	1
80703 - LIFT COLLAR\nA-100	6
83067 - .225 Compression Spring Suspension Foot Plate	3
80913 - 90 LBS WEIGHT\n41 1/8	3
80500-C - 18HP BRIGGS VANGUARD TWIN	1
80412-Split - Engine Drive Pulley 1" Split Steel	1

804449-B - LIFT VALVE 1 LEVER (80448 Prince Valve 20012 to 2013)	1
80449-electric – ELECTRIC PARKER LIFT VALVE (2013 to current)	1
80204-THUMB – ELECTRIC LIFT VALVE THUMB SWITCH (2013 to current)	2
80432 - AUX PUMP FITTING (2)\n6400-04-04	2
80419 - WHEEL MOTOR FITTING (4)\n6801-08-10-4	4
80420 - 1/2' PUMP FITTING (4)\n6802-08-08-4	4
80352-A - WHEEL HUB 2008 Z-MAX\n501053BP	2
80704-B - 7/8 x 4-1/2 LIFT PIN\n21212	2
80705 - 1-1/8 x 5-1/4 Lift Arm Pin (21230)	1
80304 - IDLER PULLEY BRACKET BUSHINGS\nKAMAN# EF 1620-12	6
HHCSC5-349 - 3/4-10 X 9 HEX HEAD CAP GR 5 ZINC	1
HHCSC5-51634 - 5/16-18 X 3/4 HEX HEAD CAP GR 5 ZINC	1
CP18X134SS - 1/8 X 1-3/4 S/S COTTER PIN	2
SET-516X516 - 5/16-18 X 5/16 SET SCREW	2
GF-316D - GREASE FITTING 3/16	2
HHCSC8-58412 - 5/8-11 X 4-1/2 HEX CAP SCREW GR 8 YZ	1
FW8-SAE-38 - 3/8 SAE FLAT WASHER GR8 YZ	4
HNC8-38 - 3/8-16 HEX NUT GR 8 YZ	4
HFNCS-10S - 10-24 S/S HEX FLANGE NUT	2
HFNCS-14S - 1/4-20 S/S SERRATED HEX FLANGE NUT	4
HCSSC-516134 - 5/16-18 X 1-3/4 S/S HEX HEAD CAP SCREW	2
HFNC5-516S - 5/16-18 SERRATED HEX FLANGE NUT GR 5	4
LWSS-516 - 5/16 S/S LOCK WASHER	5
HHM-812520 - M8-1.25 X 20 HEX HEAD CAP SCREW ZINC	1
SSNNF-38 - 3/8-24 S/S NYLOK NUT	2
HHCSC8-585 - 5/8-11 X 5 HEX CAP SCREW GR 8 YZ	1
HJNN-3410 - 3/4-10 HEX JAM NYLOK NUT ZINC	1
KS-14X14X1.5 - 1/4 X 1/4 X 1.5 SQUARE KEY STOCK	1
SSNNC-14 - 1/4-20 S/S NYLOK NUT	8
KS-316X316X1 - 3/16X 3/16 X 1 SQUARE KEY STOCK	2
SHCS-1434 - 1/4-20 X 3/4 SOCKET HEAD CAP SCREW ZINC	4
SC-1000-ZC - 1" SHAFT COLLAR ZINC	6
SC-0500-ZC - 1/2" SHAFT COLLAR ZINC	2
CB-5161SS - 5/16-18 X 1 S/S CARRAIGE BOLT	2
NNC-516 - 5/16-18 NYLOK NUT ZINC	13
HHCSC5-51612 - 5/16-18 X 1/2 HEX CAP SCREW GR 5 ZINC	4
FW-SAE-516 - 5/16 SAE FLAT WASHER ZINC	17
CB-5161SS - 5/16-18 X 1 S/S CARRAIGE BOLT	3
HCSSC-38112FT - 3/8-24 X 1-1/2 S/S HEX HEAD CAP SCREW	2
SSNNC-38 - 3/8-16 S/S NYLOK NUT	2
NNC-12 - 1/2-13 NYLOK NUT ZINC	23
HHCSC5-38112 - 3/8-16 X 1-1/2 HEX HEAD CAP GR 5 ZINC	7
HHCSC5-38114 - 3/8-16-1-1/4 HEX CAP SCREW GR 5 ZINC	19
NNC8-58 - 5/8-11 NYLOK NUT GR 8 ZINC	2
FW8-SAE-58 - 5/8 SAE FLAT WASHER GR8 YZ	4
FW-SAE-12 - 1/2 SAE FW ZINC	28
LWSS-516 - 5/16 S/S LOCK WASHER	3
FW-SAE-38 - 3/8 SAE FLAT WASHER ZINC	68
FW-SAE-38 - 3/8 SAE FLAT WASHER ZINC	68
HHCSC5-5161 - 5/16-18 X 1 HEX HEAD CAP GR 5 ZINC	4
HHCSC5-38114 - 3/8-16-1-1/4 HEX CAP SCREW GR 5 ZINC	7

TNUT51618 - 5/16-18 T NUT	4
HHSC5-51612 - 5/16-18 X 1/2 HEX CAP SCREW GR 5 ZINC	3
HHSC5-12212 - 1/2-13 X 2-1/2 HEX CAP SCREW GR 5 ZINC	8
CB-12112 - 1/2-13 X 1-1/2 CARRAIGE BOLT	4
FW-SAE-34 - 3/4 SAE FLAT WASHER ZINC	1
FWSS-12 - 1/2 S/S FLAT WASHER	5
FWSS-38LOD - 3/8 X 1 S/S FLAT WASHER	8
FW-SAE-516 - 5/16 SAE FLAT WASHER ZINC	17
HCSSC-12212 - 1/2-13 X 2-1/2 S/S HEX HEAD CAP SCREW	1
SSNNC-12 - 1/2-13 S/S NYLOK NUT	1
CB-141SS - 1/4-20 X 1 S/S CARRAIGE BOLT	4
HNFS-516SMD - 5/16-24 S/S HEX NUT	4
NNC-38 - 3/8-16 NYLOK NUT ZINC	33
80491 - BSP banjo ftg 1/4" hose	6
80413-5L560 - 5L560 DRIVE BELT Z-PLUG	1
80742 - 7/8 x 4 Hitch Pin Red Handle	1
80306-RUBBER - DUST CAP, RUBBER	2
80428-B - 3/4' HEX HEAD PIPE PLUG 5406P-12	1
80424 - HYDRO TANK 3/8' 90 DEG FEMALE(2)\n5504-06-06	2
80426 - 3/8 WELD-ON TANK FITTING (2)\n2405-06-06-4	2
HHSC8-516134 - 5/16-18 X 1-3/4 CAP SCREW GR 8 YZ (60ea used on 46" Aerator Head)	48
HNML8-516c - 5/16-18 LOCKNUT (60ea used on 46" Aerator Head)	48
80411-A – HYDRO PULLEY PLUGR\n500846BZ	2
EB-58X516-18X6Z – 5/16-18 X 3 EYE BOLT W/ 5/8 EYE	1
80714-A - HALF DISK PLATE (20ea used on 46" Aerator Head or 5 row option on 36" Head)	16



L. T. Rich Products Inc.

Warranty Registration Card

Serial #: _____	Company Name: _____
Company Address: _____	City / State / Zip: _____
Company Phone: _____	Company Fax: _____
Company Contact: _____	Company Email: _____

Please circle what most accurately describes your business

- | | | | |
|------------|----------------|--------|-----------|
| Commercial | Sports Complex | School | Municipal |
| Cemetery | Home Owner | Other | |

Dealer Name: _____	Dealer Address: _____
Dealer City / State: _____	Dealer Phone: _____
Dealer Salesman: _____	Date of Purchase: _____

L. T. Rich Products warrants its line of equipment to be free from defects in material and factory workmanship for a period of 12 months. Any exceptions to this will be explicitly stated in an individual warrant agreement in the operator's manual of that piece of equipment

Fax to: 765-680-0047 or email to sbell@z-spray.com

Troubleshooting

Engine:

- Not starting. There are a few reasons as to why your engine fails to start. If the engine does not turn over, then the battery could be dead, bad connection to the battery wires, key switch may be bad, 30 AMP fuse on the wiring harness (orange wire) may be blown or the starter solenoid may be bad (you will hear the starter solenoid trying to click on, but nothing is happening). Another common reason for a unit not starting is after unit has been washed. Water gets into the spark plug boot and gets the spark plug wet. Pull spark plug boot and dry (spray WD-40).
- Engine turns over but doesn't start. There are a few reasons as to why your engine will turn over but not start. If the fuel valve is turned off (under fuel tank), loose or bad spark plug, water in fuel, choke partially closed or wet and/or foul plugs.
- Engine won't stay running. Few things to look for if your engine does not stay running are clogged fuel filter, clogged and/or dirty air filter, fuel valve partially closed or water in fuel.

Hydraulics:

- Hydraulic system making loud noise when running. This could be caused by a couple of things. The most common is if there is air in the system. This can be caused when changing out a hydro pump, replacing a hydraulic hose or having a loose fitting on the intake lines. If air is not present, check for low levels in the system. This happens when there is a leak in the hydraulic system somewhere or hydraulic fluids were just changed and did not get back to the proper fill level.
- Need to tow my unit; what do I need to do in order to not ruin my hydro pumps?? There are tow valves on each of the hydro pumps (hex head with hole running through it on the left side rear of the hydraulic pump) that needs to be turn at least 1 ½ revolutions counter-clockwise to open the hydraulic system. Once the unit is brought to a desired location, remember to tighten the tow valves back tight (clockwise).

Tracking:

- Unit not tracking straight when pushing both control arms to the speed bar. This is caused when the linkage to the hydraulic pump is not even or a hydraulic pump is going bad. Traditionally the linkage needs to be adjusted so that they both have the same amount of pull. If it is pulling to the left, the left hydraulic pump linkage is longer than the right; you can either adjust the right to a longer linkage, or adjust the left to a shorter linkage to match the right.

Granular:

- There are numerous potential challenges that can happen on the granular side due to the amount of use this portion of the unit sees. If product is not spreading evenly or consistently, then look for a few things with your hopper impeller or hopper diffuser. If there is build up at the end of the Impeller tips or the tips are worn, this will cause an un-even and/or inconsistent spread pattern. Another factor in the spread pattern not being even is if your diffuser is not at factor position (in front of the hopper door opening so that the pattern is spreading evenly left to right).
- If granular product is leaking out from the hopper, determine where it is coming from and look at this repair options. If the granular product is leaking through the hopper shaft area, then your hopper bushing is worn. This will allow product to get in between the shaft and the hopper bushing. If granular product is leaking through the hopper door area, then door guides are loose or worn allowing a gap between the door and the hopper base. Also a potential factor is if the hopper cable is not completely closing the hopper door.
- When your hopper door cannot open, there are typically 3 things to look at. One is that your hopper cable may be frozen and locked up, the ball joint end may have broken off or there may be product jammed between the hopper door and the base (due to loose door guides).

Spray System:

- Liquid is dribbling from the tips. This affect is potentially caused by a few things. If the nozzle body O-Ring is missing, the gasket in the In-line filter is missing, In-line filter housing not tight or the hose reel valve is open.
- Pressure not staying consistent. This is normally caused due to air being introduced to the system. Air is introduced in a few ways through the system. Air can come through one of the hose connections, the In-line filter housing not being tight or not having a gasket to seal housing, sucking air from an auxiliary tank or liquid level is too low.

Wiring Harness:

- Wire Colors and Description
 - Green Wire (Starter Solenoid)
 - Yellow Wire (Engine Shut Off)
 - White Wire (Fuel Solenoid / Accessories)
 - Black Wire (Ground)
 - Orange Wire (Key Switch Power)

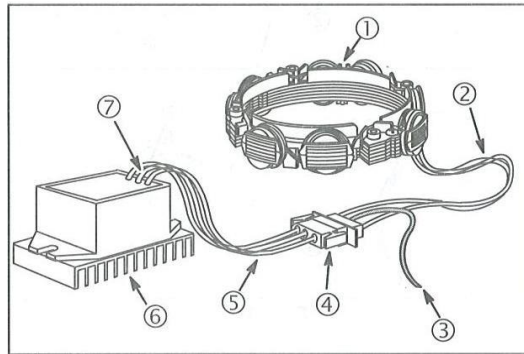
Charging Issues:

20 Amp Regulated Alternator

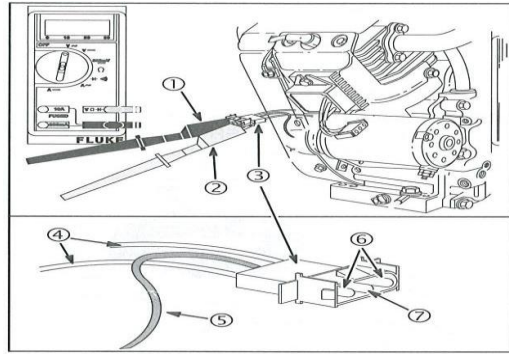
The 20 amp regulated alternator system provides AC current through two output leads to the regulator-rectifier. The regulator-rectifier converts the AC current to DC, and regulates current to the battery. The charging rate will vary with engine RPM and temperature.

1. Stator assembly (1) Figure 30.
2. Two YELLOW leads (2) from Stator.
3. RED DC output lead (3) from connector.
4. Connector (4).
5. Two YELLOW AC input leads (5).
6. Regulator-rectifier (6).
7. RED DC output lead (7) to connector

NOTE: Stator (1), regulator-rectifier (6) and fly-wheel are NOT INTERCHANGEABLE with any other charging system.



(Figure 30)



(Figure 31)

Output Test

WHEN CHECKING THE ALTERNATOR COMPONENTS, PERFORM THE TEST IN THE FOLLOWING SEQUENCE:

Temporarily disconnect stator wire harness from regulator-rectifier.

1. Insert RED test lead into **VΩ** receptacle in meter.
2. Insert BLACK test lead into **COM** receptacle.
3. Rotate selector to V~ (AC VOLTS) position.

CAUTION: Attach meter test leads to the AC output terminals (YELLOW wires) in the connector BEFORE starting the engine. If the stator is grounded (defective) and the meter test leads contact the center DC output pin (RED wire) in the connector, arcing could occur, damaging the wiring.

4. Attach RED (2) and BLACK (1) test lead probes to the YELLOW wire (4) AC output terminals (6), of the connector (3), as shown in Figure 31. (Meter test clip leads may be attached to either AC output terminal).
5. If **NO** or **LOW** output is found check for bare wires or other defects. If shorted leads are not visible, replace the stator.
6. With the engine running at **3600RPM** output should be **no less than 26 Volts**

DC Output Charging Wire Test

A simple test can be used to test the DC output charging wire circuit. If a wiring problem exists it can be corrected before testing regulator-rectifier.

Leave stator wire harness disconnected from regulator-rectifier. Equipment key switch must be in **OFF** position.

1. Insert RED test lead into V Ω receptacle in meter.
2. Insert BLACK test lead into COM receptacle.
3. Rotate selector to V= (DC volts) position.
4. Attach RED test lead probe (2) to the RED wire (5) DC output terminal (7), of the connector. (Figure 31).
5. Attach BLACK test lead probe (1) to negative battery terminal.
6. Turn equipment key switch to ON position. Meter should display **BATTERY VOLTAGE**.
7. If meter does not display voltage, check for blown fuse or broken or shorted wire.

Regulator-Rectifier Test

Tools Required:

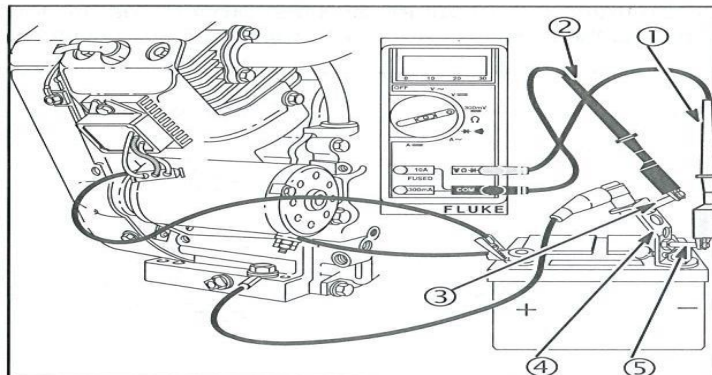
DC Shunt #19359

The DC Shunt **MUST** be installed on the **NEGATIVE (-)** terminal of the battery, Figure 32 to avoid blowing the fuse in the meter when testing the output of the 20 amp system. All connections must be clean and tight for correct readings.

1. Connect stator wire harness to regulator-rectifier.
2. Install DC Shunt #19359 (4) on **NEGATIVE** battery terminal.
3. Insert RED test lead into V Ω receptacle in meter and connect to RED post terminal on shunt (5), Figure 32.
4. Insert BLACK test lead in COM receptacle in meter. Connect to BLACK post terminal on shunt (3).
5. Rotate selector to **300mV** position.
6. With the engine running at **3600RPM**, the output should be **3-20 Amps**.

NOTE: Depending on battery voltage and/or current draw on system

If **NO** or **LOW** output is found, be sure that regulator-rectifier is grounded properly and all equipment connections are clean and secure. If there is still **NO** or **LOW** output, replace the regulator-rectifier.



Maintenance Chart

SERVICE ACTION(S)	Daily	Weekly	Bi-Weekly	Monthly	Yearly	Hours
Front Caster Wheels (grease)			X			
Front Caster Yokes (grease)			X			
Front Tire Pressure (22 PSI)		X				
Rear Tire Pressure (18 PSI)		X				
Rear Rim Nut Torque (75lbs)				X		
Rear Hub Castle Nut (check cotter pin)				X		
Idler Pulley Arm (grease)				X		
Belt Tension (1/2" deflection at 15lbs)			X			
Belt Wear (cracks, tears or missing material)			X			
Engine Oil (check)	X					
Engine Oil Change/Oil Filter						50 hrs
Engine Air Filter Check (change if needed)			X		replace	
Engine Air Pre-Filter Check (change if needed)						25 hrs
Engine Fuel Filter Check (change if needed)				X	replace	
Engine Spark Plugs						100 hrs
Hydraulic Oil (change)						500 hrs
Hydraulic Oil Filter (change)						500 hrs
Hydraulic Oil Level (check)	X					
Hydro System Fittings (check for leaks)		X				
Pillow Block Bearings			X			
Aerator Tine Inspection	X					
Aerator Tine Hardware (Nut & Bolt)			X			
Ball Swivel Inspection				X		
Spray System (if applicable)						
Spray Nozzles (tip) (check)			X			
Spray Nozzle (tip) Screens (check)		X				
Spray Nozzle Gasket (check)			X			
In-Line Filter & Gasket (check)		X				
Spot Spray Gun & Tip (check)			X			
Hopper Cables & Accuway Cable (lubricate w/ Silicone Spray)		X				
Deflector Shield Cable (if applicable) (lubricate w/ Silicone Spray)		X				
Bottom of Hopper Tub (wire brush cleaning)			X			
Hopper Bottom Bushing (change if needed)				X	replace	
Impeller (change if needed)			X			
Blow debris off of machine DAILY	X					